

## Features

- Universal input 90-264V AC
- Direct UK Fixed Plugtop Adapter
- Approved to UKCA, CE, RoHS
- IEC/EN 60950-1 Safety Approved
- Meets Efficiency Level VI
- Single Output 5V DC
- OVP, OCP, OTP, SCP



Ideal Power's 15DYS612-xyW-3 12W AC/DC External Adapter UK Plugtop Power Supply (PSU) Series are certified to UKCA, CE, RoHS & IEC 60950-1/EN 60950-1 Standards and comply with Efficiency Regulations. These are primarily used in ITE, Audio & Video Industries and customised solutions are available upon request.

### Models

Model Number	Output Voltage (V DC)	Output Current (A)	Output Power (W)	Efficiency (%)
15DYS612-050240W-3	5	2.4	12	79.94
15DYS612-120100W-3	12V DC	1A	12W	82.96%

### Input Data

	Min	Typical	Max	Units	Notes
Input Voltage	90	--	264	V AC	100-240VAC +/- 10%
Input Frequency	47	--	63	Hz	50-60Hz +/- 5%
Input Current	--	--	0.4	A	
Inrush Current	0	--	60	A	At cold start, 100 / 240V AC
Leakage Current	--	--	0.25	mA	

### Output Data

	Min	Typical	Max	Units	Notes
Output Voltage Range	4.75	--	5.25	V	
Ripple & Noise	--	150	--	mVp-p	Model dependant
Line Regulation	--	3	--	%	
Load Regulation	--	5	--	%	
Over Current Protection	--	--	2.6	A	Will recover if fault condition is removed
Short Circuit Protection					Will recover if fault condition is removed
Over Voltage Protection					Will recover if fault condition is removed

**Environmental Data**

	Min	Typical	Max	Units	Notes
Operating Temperature	0	--	+40	°C	
Storage Temperature	-20	--	+80	°C	
Operating Humidity	10	--	90	°C	
Storage Humidity	5	--	95	°C	

**Other Information**

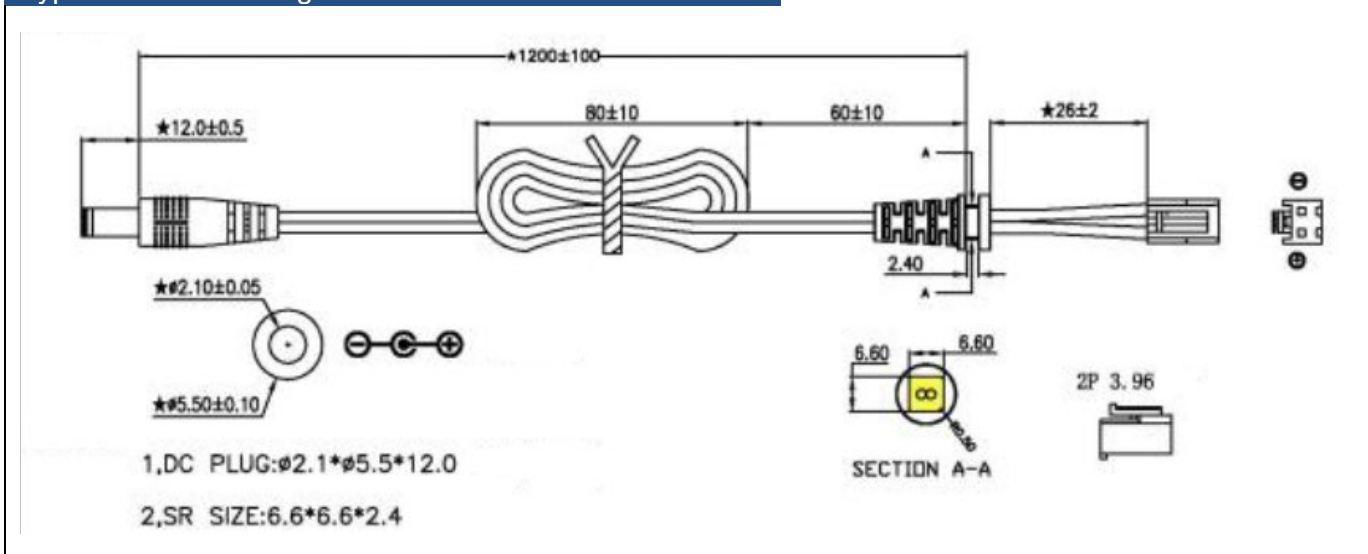
	Min	Typical	Max	Units	Notes
Insulation	50	--	--	MΩ	At primary to secondary add 500V dc test V
MTBF	--	50,000	--	hrs	
Dimensions					71.8x50x60.9mm
Cable					UL2468, 20AWG, 1200mm,
Output Connector					2.1x5.5x12mm

**EMI/EMS Standards**

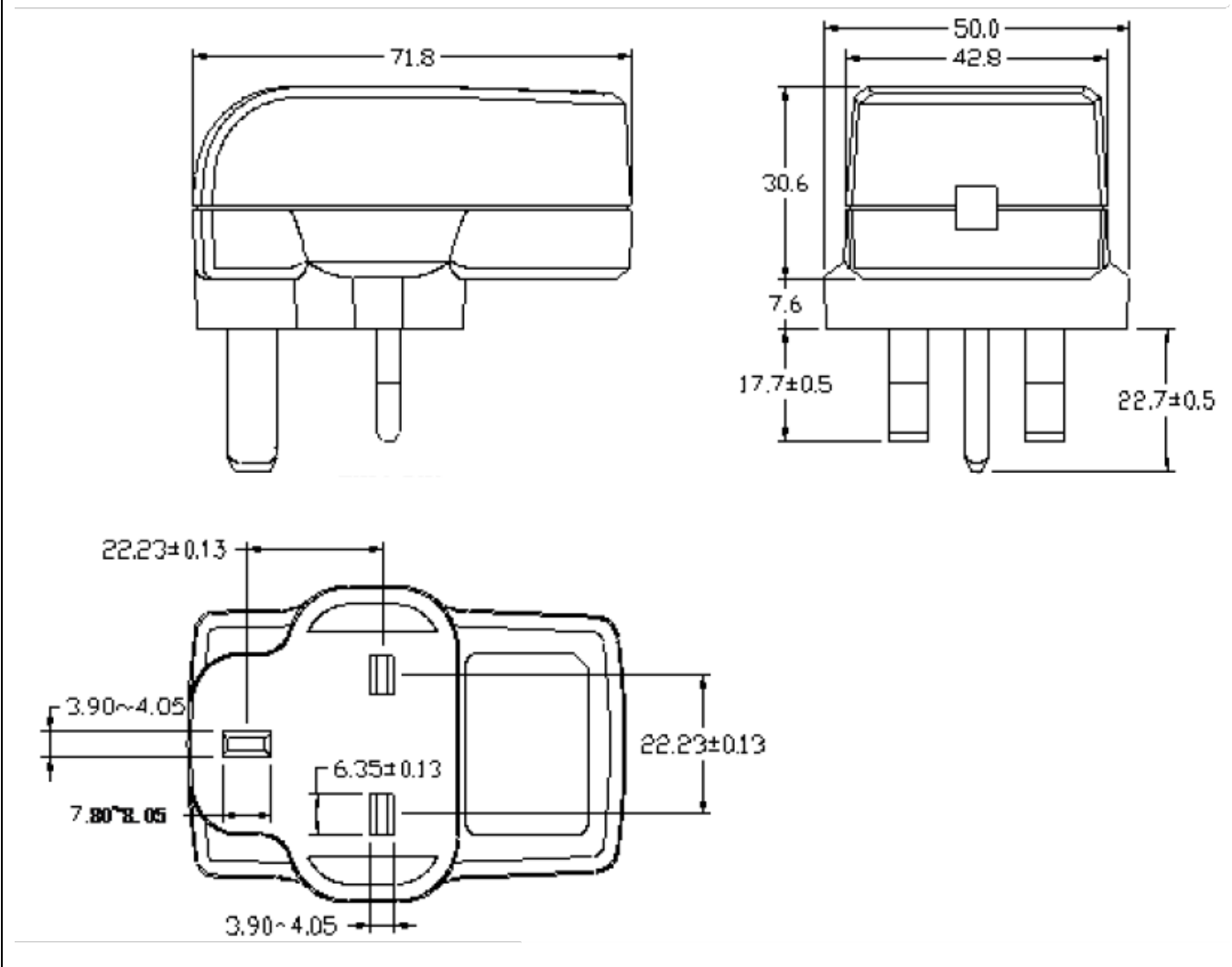
	Test Level
EMI	EN 55032 / FCC Part 15 Class B / AS/NZS CISPR22
EMS	EN 55035
ESD	IEC 61000-4-2, Air discharge +/-8KV, Contact discharge +/-4KV <span style="float: right;">Pass B</span>
EFT	IEC 61000-4-4, AC-Input 0.5KV/1KV <span style="float: right;">Pass A/B</span>
Surge Voltage	IEC 61000-4-5 Differential mode +/-1KV. Common mode +/-2KV <span style="float: right;">Pass A</span>

**Safety Approvals**

	Safety Standards
Certifications	UKCA, CE, RoHS
Approvals	IEC/EN 60950-1

**Typical Cable Drawing**


Mechanical Drawing



Typical Label Drawing

